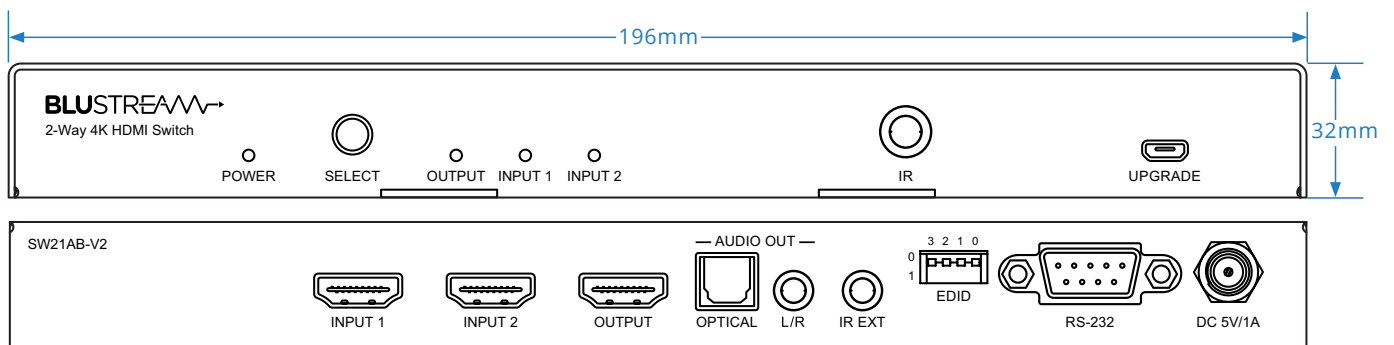
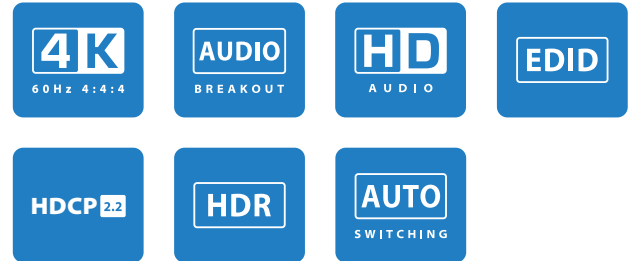


## 2-Way 4K HDMI Switch

### Description

The SW21AB-V2 is a 2-way HDMI switch with integrated audio breakout and the ability to auto-switch.

The switch supports full HDMI 2.0 and HDCP 2.2 with video resolutions up to and including 4K @ 60Hz 4:4:4.



### Key Features

- Features 2 x HDMI inputs which can be switched to a single HDMI output
  - Supports full HDMI 2.0 specification 4K UHD video (4K @ 60Hz 4:4:4)
  - HDCP 2.2 compliant
  - Auto-switching capabilities\*
  - Supports 3D signal display
  - Supports all industry standard video resolutions including VGA-WUXGA and 480i-4K
  - Supports all known HDMI audio formats including Dolby TrueHD, Dolby Atmos, Dolby Digital Plus and DTS-HD Master Audio transmission
  - HDMI audio breakout to analogue L/R audio and optical S/PDIF outputs concurrently
  - Control via serial, front panel and IR
  - Advanced EDID management
- \* See below for details of how to enable the auto-switching function on these units.

Press **Select** button to toggle between HDMI inputs. Auto-switching function is enabled / disabled by pressing and holding the Select button for 5 seconds. Input light will flash 3 times to confirm switching function enabled / disabled



SELECT

Blustream cannot be held responsible for errors in typography or photography. Specifications are subject to change without notice.



## Specifications

- **Dimensions (W x D x H):** 196 x 104 x 32mm, including connections, without feet (removable)
- **Shipping Weight:** 0.8kg
- **Operating Temperature:** 32°F to 104°F (0°C to 40°C)
- **Storage Temperature:** -4°F to 140°F (-20°C to 60°C)
- **Power Supply:** 1 x 5V/1A DC

## Connectivity

- **Video Input Connectors:** 2 x HDMI Type A, 19-pin, female
- **Video Output Connectors:** 1 x HDMI Type A, 19-pin, female
- **Audio Output Connectors:** 1 x Optical (S/PDIF) & 1 x Analogue audio L/R (3.5mm stereo jack)
- **IR Input Ports:** 1 x 3.5mm stereo jack
- **RS-232 Serial Port:** 1 x DB9, female

## Included Accessories

<b>Power Supply</b>	1 x 5V / 1A DC
<b>Remote Control</b>	1 x Remote Control
<b>Mount</b>	1 x Mounting Set
<b>IR Accessories</b>	1 x IR Receiver (IRR)

## Regulatory Compliance



Blustream cannot be held responsible for errors in typography or photography. Specifications are subject to change without notice.